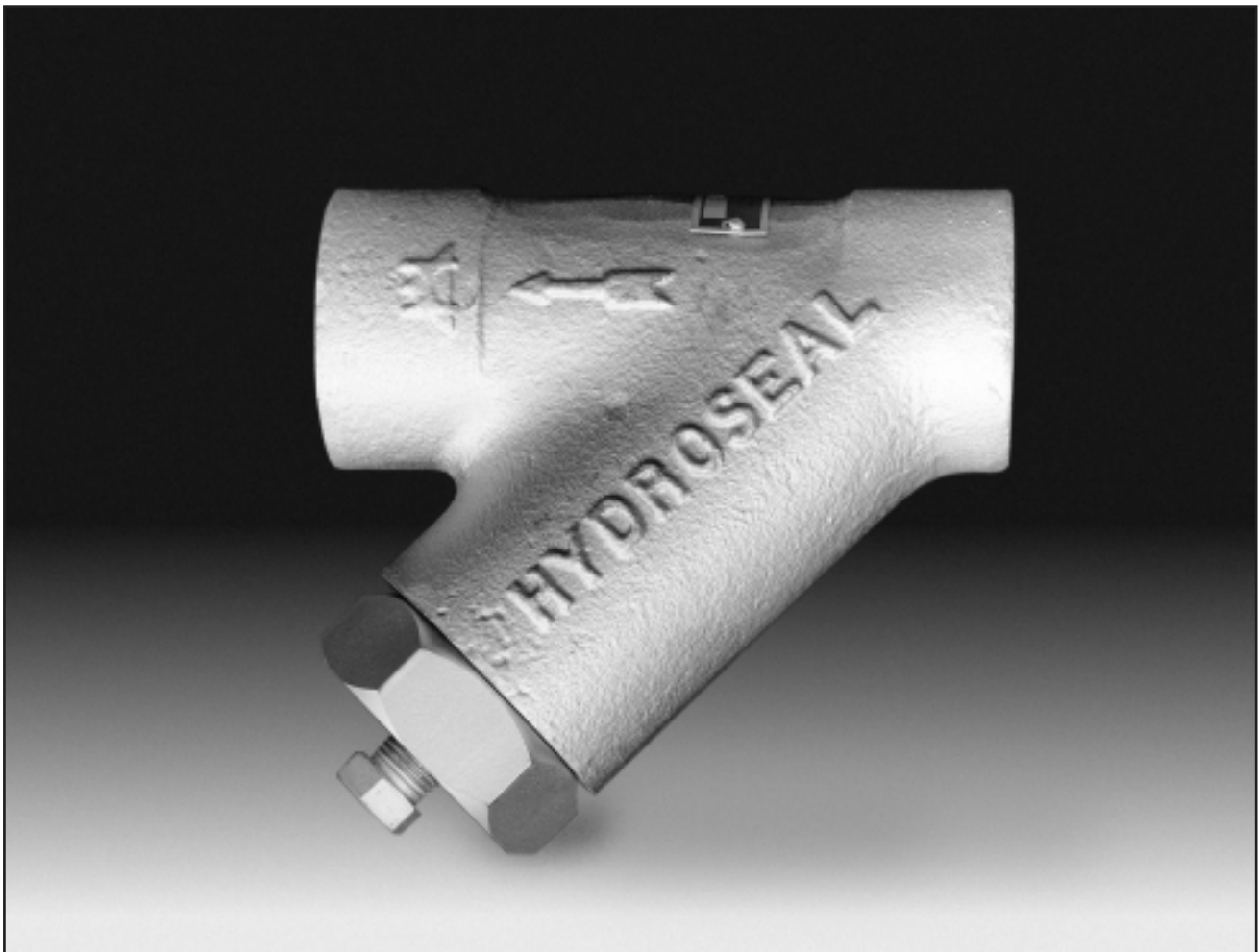


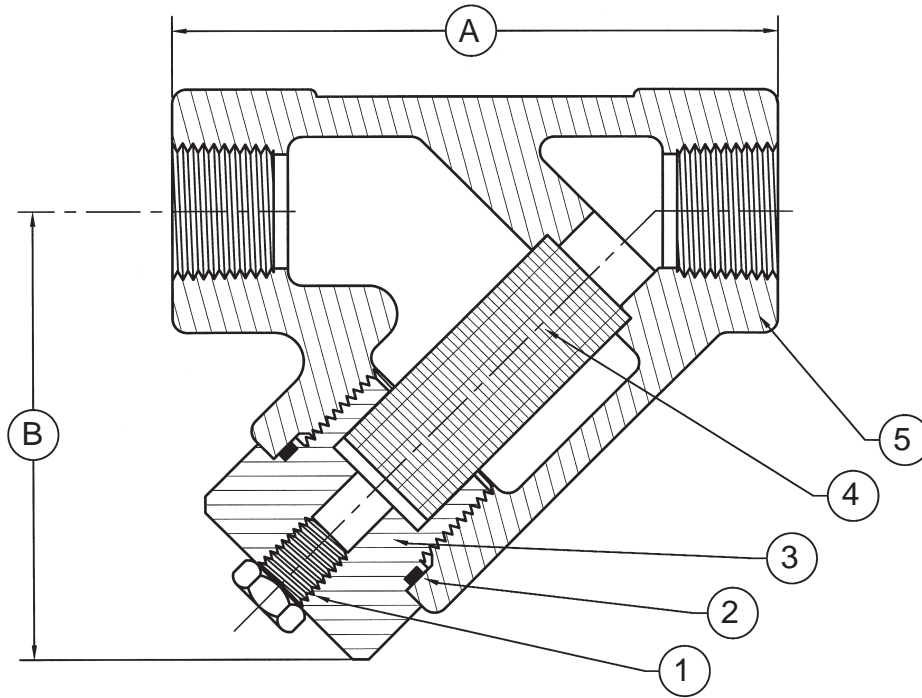
High Pressure “Y” Strainers

- In-line cleanout access
- Pressures to 3,000 psi
- Spiral wound Stainless Steel screen
- Operating temperatures to 450°F
- 1/2" to 2" FNPT and socket weld

 **Hydroseal**
Valve Company, Inc.



Model Selection



YTS1 INLET • OUTLET

X SCREEN 0 MATERIAL

| MODEL | INLET/OUTLET | MAX PRESSURE [PSIG] | DIMENSIONS | | CLEAN OUT PLUG | WT. [Lbs] |
|-------|--------------|---------------------|------------|--------|----------------|-----------|
| | | | A | B | | |
| YTS1 | 1/2" FNPT | 3000 | 5 1/8" | 4" | 1/4" | 6 |
| YTS3 | 3/4" FNPT | 3000 | 5 1/8" | 4" | 1/4" | 6 |
| YTS5 | 1" FNPT | 3000 | 5 1/8" | 4" | 1/4" | 6 |
| YTS8 | 1 1/2" FNPT | 3000 | 7 1/2" | 5 3/8" | 3/4" | 17 |
| YTS10 | 2" FNPT | 3000 | 9 5/8" | 6 3/8" | 3/4" | 30 |

| | |
|-----------|-----------------|
| X - .067" | 0 - Chrome-moly |
| A - .033" | |
| B - .014" | 3 - 316 SS |
| C - .006" | |

| SCREEN | | | |
|--------|------|--------|---------|
| SCREEN | MESH | INCHES | MICRONS |
| X | 10 | .067 | 1690 |
| A | 20 | .033 | 840 |
| B | 40 | .014 | 355 |
| C | 100 | .006 | 149 |

| MATERIAL CODE | | |
|---------------|--------------|--------|
| | 0 | 3 |
| 1. PLUG | CS | 316 SS |
| 2. O-RING | Viton | Viton |
| 3. CAP | CS | 316 SS |
| 4. SCREEN | 304 SS | 304 SS |
| 5. BODY | ASTM A487-4N | CF8M |

* Screen "A" standard unless specified

CANADIAN REGISTRATION NUMBER 0E0736.2C



P.O. Box 1382 • Kilgore, Texas 75663-1382
903-984-8574 • Fax 903-984-6307

