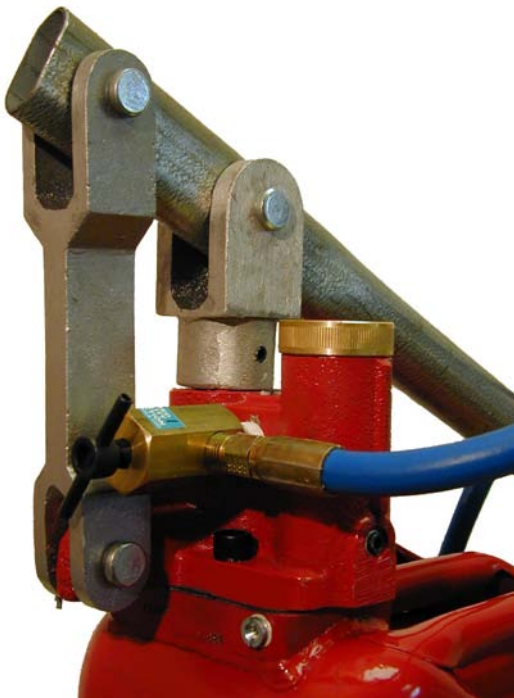


CVS Controls High Pressure Portable Injection Hand Pump

This is a High Pressure Alcohol Injector Pump of rugged design that will quickly and effectively de-ice valves and lines with just a few strokes.



The hand pump is mounted on a 20-litre (5 gallon) metal container. Other features include adjustable pressure settings (1000, 2000 and 3000 psi), rubber core steel braided discharge hose for easy connections, convenient pressure relief valve and a discharge stroke volume of .730 cu. in or 11.96 ml.

Head Office
3900 - 101 Street
Edmonton, Alberta, Canada T6E 0A5
Office: (780) 437-3055
Fax: (780) 436-5461

CVS

Controls Ltd.

Calgary Sales Office
205, 2323 - 32 Avenue NE
Calgary, Alberta, Canada T2E 6Z3
Office: (403) 250-1416
Fax: (403) 291-9487

Website: www.cvs-controls.com E-Mail: info@cvs-controls.com

CVS Controls – High Pressure Portable Injection Hand Pump – Operation and Maintenance

The following components are shipped loose and must be installed prior to operation of hand pump.

1. “Link Kit”, consists of 2 Clevis Pins (4), 1 Clevis Pin (33), 3 Flat Washers (3), 1 Handle Link (30), 2 Cotter Pin (5), 1 R-Clip (41)
2. Handle (1)
3. Discharge Hose Assembly (40)

Link Kit and Handle Assembly Installation

1. Install Handle Link (1) by inserting Clevis Pin (33) through Handle Link and Pump Body (28). Install 1 Flat Washer (3) and 1 Cotter Pin (5). Bend back tabs of cotter pin to secure.
2. Install Handle (1), by inserting 2 Clevis Pin (4) through upper Handle Link (30), and Plunger (14). Install 1 Flat Washer (3) on each Clevis Pin and secure upper handle link with Cotter Pin (5) by bending back tabs of cotter pin. Install R Clip (41) on clevis pin securing handle to the plunger to allow for easy removal for priming.
3. Apply thread tape or equivalent to fixed end of Discharge Hose Assembly (40). Thread into Bleed Valve Body (31), and secure.

Operation

1. Remove Tank Cap (37), and fill Tank assembly with alcohol or desired liquid best suited for your application. Replace Tank Cap. Cycle pump two to three full strokes with bleed valve open to Prime. Close bleed valve for normal operation. Should pump not be primed for regular use follow instructions below.

To Prime Pump

- A. Remove Plunger (14), by first removing 1 Clevis Pins (4) which attaches Handle to Plunger.
- B. Fill with alcohol or equivalent
- C. Replace Plunger
- D. Release excess pressure using the Bleed Valve Screw (32)
- E. Re-attach handle to plunger.

Unit is now primed and ready for use.

***Note: The CVS Controls High Pressure Hand Pump has a working pressure up to a maximum of 3000 psi. Prior to connecting Discharge Hose Assembly ensure working line pressure has been relieved.** CVS Controls has available the CVS-A-0675 Inline Check Valve for installation on the discharge hose assembly to prevent potential back pressure to the tank assembly.

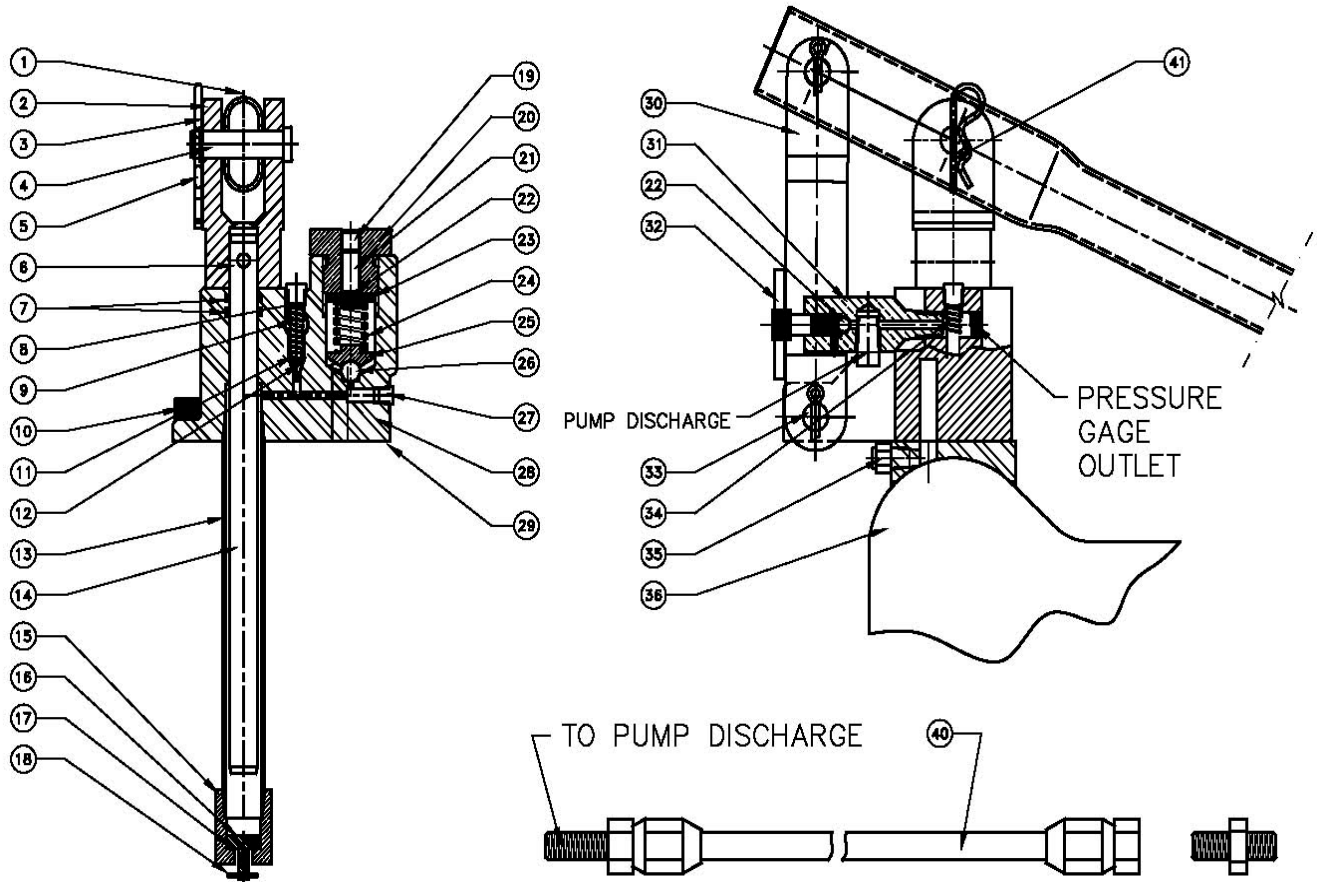
2. Connect discharge line.
3. Pump handle to inject alcohol.

Maintenance and Trouble Shooting

- If unit is not pumping, remove plunger and check Foot Valve o-ring (17), replace as necessary
- Unit does not hold pressure, Discharge Poppet (11) and Discharge Poppet o-ring (12) may be damaged or need replacing.

CVS Controls Ltd. has available a maintenance kit for the High Pressure Hand Pump (CVS-HP-1038). Should maintenance be required, it should only be performed by competent personnel, or a Qualified CVS Controls Technician. Contact a CVS Controls representative for more information.

CVS Controls High Pressure Portable Injection Hand Pump



Parts List

Item	Part No.	Description
	CVS-HP-1000	Complete Unit
1	CVS-HP-1001	Handle
2	CVS-HP-1002	Plunger Clevis
3	CVS-HP-1003	Washer
4	CVS-HP-1004	Clevis Pin
5	CVS-HP-1005	Cotter Pin
6	CVS-HP-1006	Roll Pin
7	CVS-HP-1007	O-Ring Plunger
8	CVS-HP-1008	Pipe Plug
9	CVS-HP-1009	Spring
10	CVS-HP-1010	Cap Screw
11	CVS-HP-1011	Discharger Poppet
12	CVS-HP-1012	O-Ring Poppet
13	CVS-HP-1013	Pump Barrel
14	CVS-HP-1014	Plunger
15	CVS-HP-1015	Foot Valve Cage
16	CVS-HP-1016	Foot Valve Poppet
17	CVS-HP-1017	O-Ring Foot Valve
18	CVS-HP-1018	Cotter Pin
19	CVS-HP-1019	Set Screw
20	CVS-HP-1020	Pressure Setting Screw

Item	Part No.	Description
21	CVS-HP-1021	Set Screw
22	CVS-HP-1022	Stainless Steel Ball
23	CVS-HP-1023	Spring Set Plate
24	CVS-HP-1024	Spring
25	CVS-HP-1025	Spring Base Plate
26	CVS-HP-1026	Stainless Steel Ball
27	CVS-HP-1027	Pipe Plug
28	CVS-HP-1028	Body
29	CVS-HP-1029	Gasket
30	CVS-HP-1030	Handle Link
31	CVS-HP-1031	Bleed Valve Body
32	CVS-HP-1032	Bleed Valve Screw
33	CVS-HP-1033	Clevis Pin
34	CVS-HP-1034	Pipe Plug
35	CVS-HP-1035	Vent Check Valve
36	CVS-HP-1036	Tank assembly
37	CVS-HP-1037	Tank Cap
38	CVS-HP-1038	Repair Kit
39	CVS-HP-1039	Cap Gasket
40	CVS-HP-1040	Hose Assembly
41	CVS-1005HP	R-Clip

CVS Controls Ltd. strives for the highest levels of quality and accuracy. The information included in this publication is presented for informational purposes only. CVS Controls Ltd. reserves the right to modify or change, and improve design, process, and specifications without written notice. Under no circumstance is the information contained to be interpreted to be a guarantee/warranty with regard to our products or services, applicability or use.

Selection, use and maintenance are the sole responsibility of the end user and purchaser. CVS Controls assumes no liability for the selection use and maintenance of any product.

Rev 3 Sept 09
Printed in Canada



Head Office

3900 – 101 Street
Edmonton, Alberta, Canada T6E 0A5
Office: (780) 437-3055
Fax: (780) 436-5461

Calgary Sales Office

205, 2323 – 32 Avenue NE
Calgary, Alberta, Canada T2E 6Z3
Office: (403) 250-1416
Fax: (403) 291-9487

Website: www.cvs-controls.com

E-Mail: info@cvs-controls.com