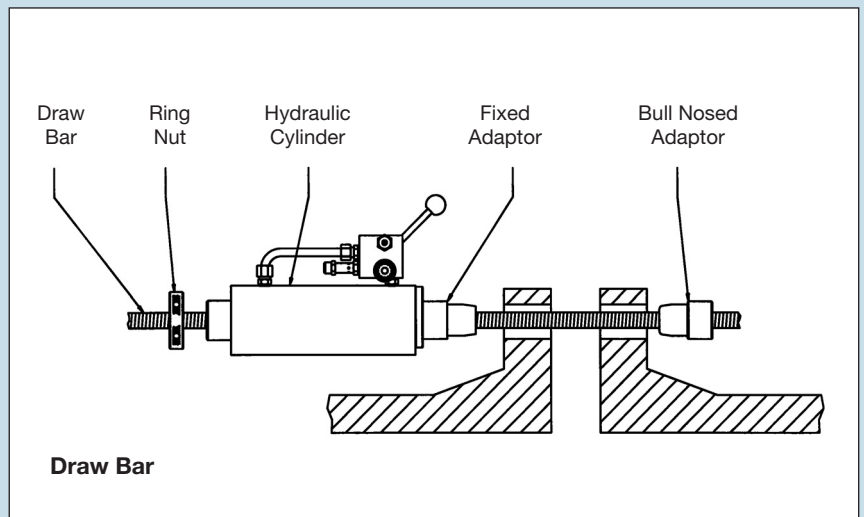


The system utilises a 6" (150mm) stroke, double acting hollow cylinder, together with wire rope or threaded bars. A unique design jaw assembly is used to grip and release the rope. A four-way valve is incorporated into the unit to provide fast and simple operation and close operator control. Any number of cylinders can be used individually or simultaneously to provide constant load or controlled displacement.

- Fast, powerful and controllable pulling and alignment for flanges and heavy equipment
- Lightweight and self contained



Load Capacity		Max. Operating Pressure		Wire rope type						Drawbar type		
				Rope dia.		Specified Minimum Breaking Load of Rope		Weight		Weight		
tons	kN	psi	bar	inches	mm	tons	kN	lbs	kg	lbs	kg	dia. in
12.7	127	5500	380	¾"	19	30.41	303	84	38	48	22	1" UNC
				1"	25	52.75	525					