

# **tyco** Fire Suppression & Building Products

Technical Services 800-381-9312 | +1-401-781-8220  
www.tyco-fire.com

## **Model CV-1FR Riser Check Valves 2 to 12 Inch (DN50 to DN300)**

### **General Description**

The TYCO Model CV-1FR Riser Check Valve is a compact and rugged swing-type unit that allows water flow in one direction and prevents flow in the opposite direction. A resilient elastomer seal facing on the spring-loaded clapper ensures a leak-tight seal and non-sticking operation. The Model CV-1FR Check Valves are designed to minimize water hammer caused by flow reversal.

The Model CV-1FR Riser Check Valve is furnished with grooved ends and can be installed using GRINNELL Grooved Couplings or GRINNELL Figure 71 Flange Adapters. The Model CV-1FR Valves have been designed with a removable cover for ease of field maintenance. These valves can be installed horizontally (with cover in the upward position) or vertically with the flow in the upward direction. Refer to Figure 6.

To facilitate their use in wet-type automatic sprinkler system risers, the Model CV-1FR Riser Check Valves are provided with threaded outlets for pressure gauges and a drain connection. They provide a more compact and economical alternative to an alarm check valve where a water motor alarm is not required. Provisions must be made for a local alarm using an approved flow switch (not included).

The Model CV-1FR Riser Check Valve is also Listed for use in conjunction with the TYCO Model DV-5 Deluge Valve in Preaction Systems under air pressure without the use of prime water.

The Model CV-1FR Riser Check Valves are a redesign for the Central Figure 590FR and GRINNELL Figure 590FR.

### **NOTICE**

*Never remove any piping component nor correct or modify any piping deficiencies without first de-pressurizing and draining the system. Failure to do so may result in serious personal injury, property damage, and/or impaired device performance.*

*The Model CV-1FR Riser Check Valve described herein must be installed and maintained in compliance with this document and with the applicable standards of the National Fire Protection Association, in addition to the standards of any authorities having jurisdiction. Failure to do so may impair the performance of this device.*

*Owners are responsible for maintaining their fire protection system and devices in proper operating condition. The installing contractor or manufacturer should be contacted with any questions.*

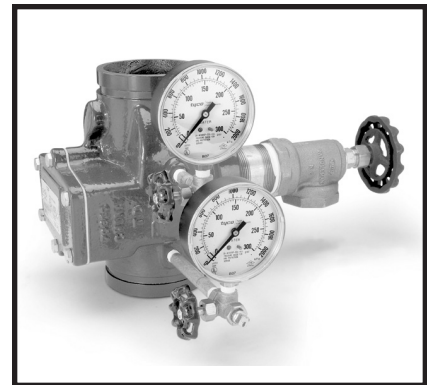
### **Technical Data**

**Approvals**  
UL, C-UL, and FM

**Sizes**  
2 to 12 Inch (DN50 to DN300)

**Maximum Working Pressure**  
300 psi (20,7 bar)

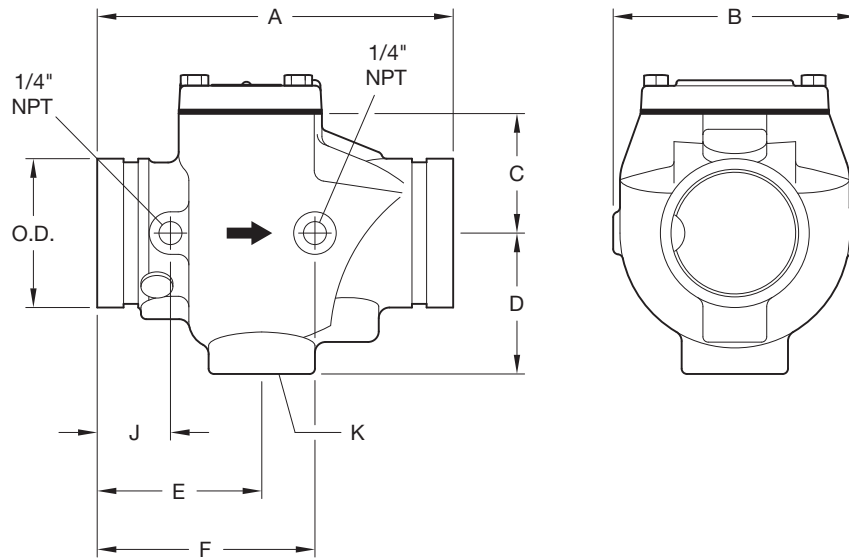
**Valve Assembly Finish**  
Red, non-lead paint



### **Installation**

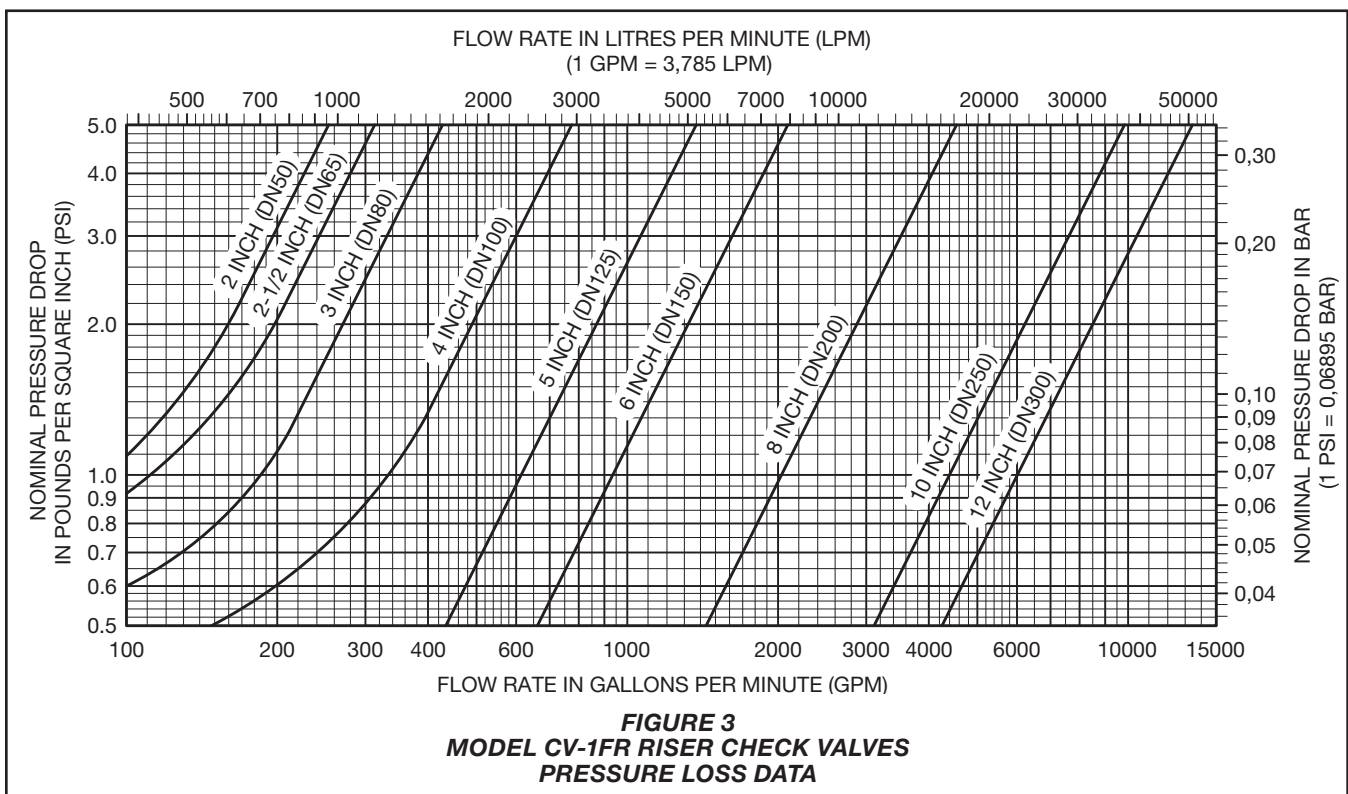
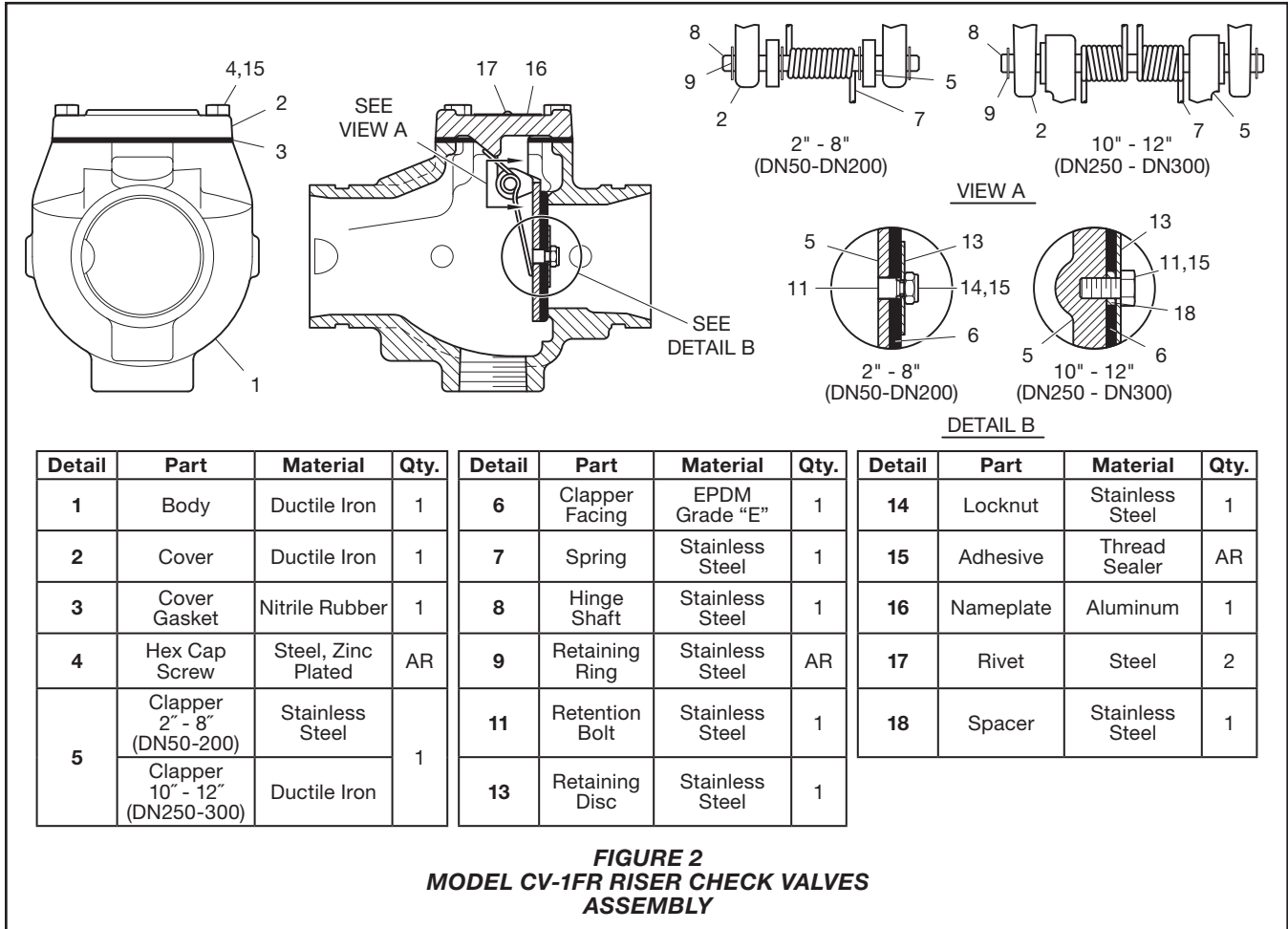
The Model CV-1FR Riser Check Valves are to be installed in accordance with the following instructions:

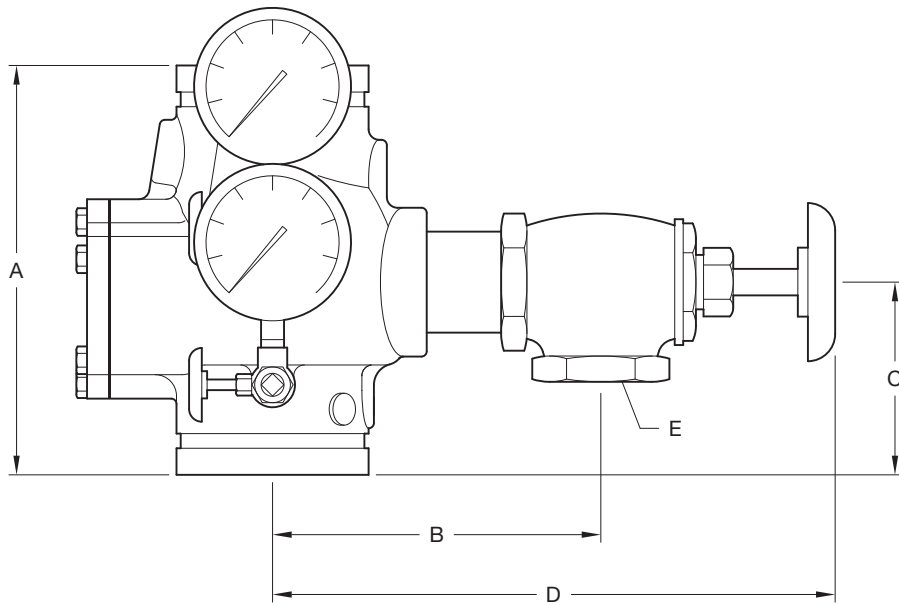
1. The arrow cast on the Body must point in the direction of the flow.
2. Valves installed vertically must be positioned with the flow in the upward direction.
3. Valves installed horizontally must be positioned with the Cover facing up. Refer to Figure 6.
4. Grooved end pipe couplings used with the Model CV-1FR Riser Check Valve must be installed in accordance with manufacturer's instructions.



Nominal Pipe Size		Nominal Dimensions Inches (mm)								Cover Bolt Torq. Lbs.-ft. (Nm)	Approx. Weight Lbs. (kg)
ANSI Inches DN	O.D. Inches (mm)	A	B	C	D	E	F	J	K NPT		
<b>2</b> DN50	2.375 (60,3)	6.75 (171,5)	4.38 (111,3)	2.55 (64,8)	2.57 (65,3)	3.25 (82,3)	15 (21)	9.0 (4,5)	1	18 (25)	9.0 (4,5)
<b>2-1/2</b> DN65	2.875 (73,0)	8.00 (203,2)	5.42 (136,7)	3.41 (86,6)	3.09 (78,5)	3.88 (98,6)	39 (54)	10.0 (4,5)	1-1/4	39 (54)	10.0 (4,5)
<b>76,1</b> DN65	- (76,1)	8.00 (203,2)	5.42 (136,7)	3.41 (86,6)	3.09 (78,5)	3.88 (98,6)	39 (54)	10.0 (4,5)	1-1/4	39 (54)	10.0 (4,5)
<b>3</b> DN80	3.500 (88,9)	8.38 (212,9)	5.76 (146,3)	3.60 (91,4)	3.31 (84,1)	3.88 (98,6)	39 (54)	11.0 (5,0)	1-1/4	39 (54)	11.0 (5,0)
<b>4</b> DN100	4.500 (114,3)	9.63 (245,6)	6.74 (171,2)	4.61 (117,1)	3.63 (92,2)	4.53 (115,4)	39 (54)	25.0 (11,3)	2	50 (69)	25.0 (11,3)
<b>139.7</b> DN125	- (139,7)	10.50 (266,7)	7.50 (190,5)	5.29 (134,4)	4.13 (104,9)	4.90 (124,5)	39 (54)	29.0 (13,2)	2	39 (54)	29.0 (13,2)
<b>5</b> DN125	5.563 (141,3)	10.50 (266,7)	7.50 (190,5)	5.29 (134,4)	4.13 (104,9)	4.90 (124,5)	39 (54)	29.0 (13,2)	2	39 (54)	29.0 (13,2)
<b>165.1</b> DN150	- (165,1)	11.50 (292,1)	8.05 (204,4)	5.75 (146,1)	4.50 (114,3)	5.00 (127,0)	60 (82)	47.0 (21,3)	2	60 (82)	47.0 (21,3)
<b>6</b> DN150	6.625 (168,3)	11.50 (292,1)	8.05 (204,4)	5.75 (146,1)	4.50 (114,3)	5.00 (127,0)	60 (82)	47.0 (21,3)	2	60 (82)	47.0 (21,3)
<b>8</b> DN200	8.625 (219,1)	14.00 (355,6)	10.25 (260,4)	7.75 (196,9)	5.62 (142,7)	5.45 (138,4)	120 (164)	66.0 (30,0)	2	120 (164)	66.0 (30,0)
<b>10</b> DN250	10.750 (273,1)	18.00 (457,2)	13.00 (330,2)	10.21 (259,3)	6.38 (162,1)	7.50 (190,5)	120 (164)	109.7 (49,4)	2	130 (178)	109.7 (49,4)
<b>12</b> DN300	12.750 (323,9)	21.0 (533,4)	14.28 (362,7)	11.31 (287,2)	7.26 (184,4)	7.62 (193,5)	120 (164)	151.0 (68,0)	2	130 (178)	151.0 (68,0)

**FIGURE 1**  
**MODEL CV-1FR RISER CHECK VALVES**  
**NOMINAL DIMENSIONS**





Nominal Pipe Size		Nominal Dimensions Inches (mm)				
ANSI Inches DN	O.D. Inches (mm)	A	B	C	D	E Inches NPT
<b>2</b> DN50	2.375 (60,3)	6.75 (171,5)	6.50 (165,1)	3.25 (82,6)	10.13 (257,2)	1
<b>2-1/2</b> DN65	2.875 (73,0)	8.00 (203,2)	6.56 (166,7)	3.88 (98,6)	11.13 (282,6)	1-1/4
<b>76,1</b> DN65	- (76,1)	8.00 (203,2)	6.56 (166,7)	3.88 (98,6)	11.13 (282,6)	1-1/4
<b>3</b> DN80	3.500 (88,9)	8.37 (212,6)	6.81 (173,0)	3.88 (98,6)	11.13 (282,6)	1-1/4
<b>4</b> DN100	4.500 (114,3)	9.63 (244,6)	7.75 (196,9)	3.88 (98,6)	13.25 (336,6)	2
<b>139,7</b> DN125	- (139,7)	10.50 (266,7)	8.25 (209,6)	5.00 (127,0)	13.81 (350,8)	2
<b>5</b> DN125	5.563 (141,3)	10.50 (266,7)	8.25 (209,6)	5.00 (127,0)	13.81 (350,8)	2
<b>165,1</b> DN150	- (165,1)	11.50 (292,1)	8.56 (217,5)	5.00 (127,0)	14.13 (358,8)	2
<b>6</b> DN150	6.625 (168,3)	11.50 (292,1)	8.56 (217,5)	5.00 (127,0)	14.13 (358,8)	2
<b>8</b> DN200	8.625 (219,1)	14.00 (355,6)	9.75 (247,7)	5.50 (139,7)	15.25 (387,4)	2
<b>10</b> DN250	10.750 (273,1)	18.00 (457,2)	10.70 (271,8)	7.50 (190,5)	16.25 (412,8)	2
<b>12</b> DN300	12.750 (323,9)	21.00 (533,4)	11.50 (292,1)	7.65 (194,3)	17.00 (431,8)	2

**FIGURE 4**  
**MODEL CV-1FR RISER CHECK VALVE WITH TRIM COMPONENTS**  
**NOMINAL DIMENSIONS**

**P/N 59-591-1-020**  
2 Inch (DN50)

NO.	DESCRIPTION	QTY.	P/N
1	300 psi/ 2000 kPa Water Pressure Gauge . . . 2	2	92-343-1-005
2	1/4" Gauge Test Valve . . . 2	2	46-005-1-002
3	1/4" Plug . . . . . 2	2	CH
4	1" Angle Valve . . . . . 1	1	46-048-1-006
5	1/4" x 2" Nipple . . . . . 1	1	CH
6	1/4" x 5" Nipple . . . . . 1	1	CH
7	1" x 3" Nipple . . . . . 1	1	CH

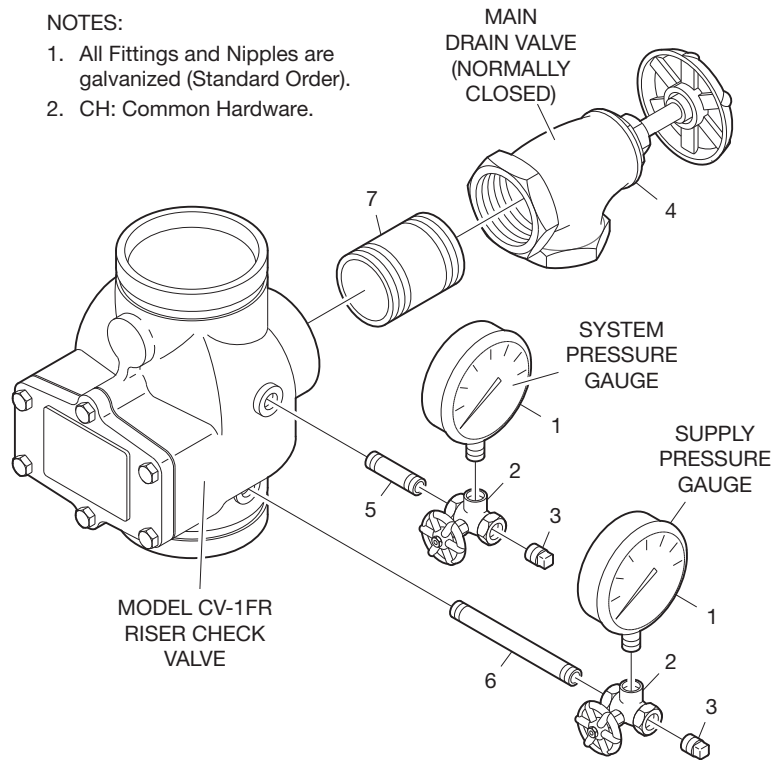
**P/N 59-591-1-030**  
2-1/2 Inch (DN65) through 3 Inch (DN80)

NO.	DESCRIPTION	QTY.	P/N
1	300 psi/ 2000 kPa Water Pressure Gauge . . . 2	2	92-343-1-005
2	1/4" Gauge Test Valve . . . 2	2	46-005-1-002
3	1/4" Plug . . . . . 2	2	CH
4	1-1/4" Angle Valve . . . . . 1	1	46-048-1-007
5	1/4" x 2" Nipple . . . . . 1	1	CH
6	1/4" x 5" Nipple . . . . . 1	1	CH
7	1-1/4" x 3" Nipple . . . . . 1	1	CH

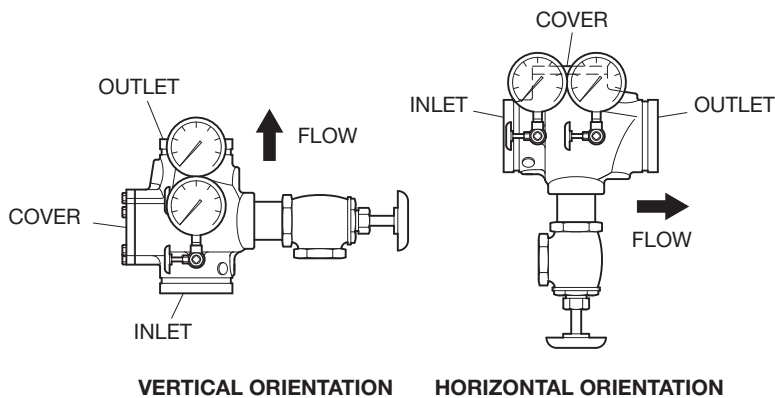
**P/N 59-591-1-080**  
4 Inch (DN100) through 12 Inch (DN300)

NO.	DESCRIPTION	QTY.	P/N
1	300 psi/ 2000 kPa Water Pressure Gauge . . . 2	2	92-343-1-005
2	1/4" Gauge Test Valve . . . 2	2	46-005-1-002
3	1/4" Plug . . . . . 2	2	CH
4	2" Angle Valve . . . . . 1	1	46-048-1-009
5	1/4" x 2" Nipple . . . . . 1	1	CH
6	1/4" x 5" Nipple . . . . . 1	1	CH
7	2" x 3" Nipple . . . . . 1	1	CH

- NOTES:
1. All Fittings and Nipples are galvanized (Standard Order).
  2. CH: Common Hardware.



**FIGURE 5**  
**MODEL CV-1FR RISER CHECK VALVES**  
**TRIM PARTS LIST**



**FIGURE 6**  
**MODEL CV-1FR RISER CHECK VALVES**  
**INSTALLATION**

## Care and Maintenance

### NOTICE

*Before closing a fire protection system main control valve for maintenance work on the fire protection system that it controls, obtain permission to shut down the affected fire protection system from the proper authorities and notify all personnel who may be affected by this decision.*

*After placing a fire protection system in service, notify the proper authorities and advise those responsible for monitoring proprietary and/or central station alarms.*

Owners are responsible for the inspection, testing, and maintenance of their fire protection system and devices in compliance with this document, as well as with the applicable standards of the National Fire Protection Association (for example, NFPA 25), in addition to the standards of any authority having jurisdiction. The installing contractor or product manufacturer should be contacted relative to any questions. Any impairments must be immediately corrected.

Automatic sprinkler systems are recommended to be inspected, tested, and maintained by a qualified Inspection Service in accordance with local requirements and/or national codes.

## Limited Warranty

Products manufactured by Tyco Fire Suppression & Building Products (TFSBP) are warranted solely to the original Buyer for ten (10) years against defects in material and workmanship when paid for and properly installed and maintained under normal use and service. This warranty will expire ten (10) years from date of shipment by TFSBP. No warranty is given for products or components manufactured by companies not affiliated by ownership with TFSBP or for products and components which have been subject to misuse, improper installation, corrosion, or which have not been installed, maintained, modified or repaired in accordance with applicable Standards of the National Fire Protection Association, and/or the standards of any other Authorities Having Jurisdiction. Materials found by TFSBP to be defective shall be either repaired or replaced, at TFSBP's sole option. TFSBP neither assumes, nor authorizes any person to assume for it, any other obligation in connection with the sale of products or parts of products. TFSBP shall not be responsible for sprinkler system design errors or inaccurate or incomplete information supplied by Buyer or Buyer's representatives.

In no event shall TFSBP be liable, in contract, tort, strict liability or under any other legal theory, for incidental, indirect, special or consequential damages, including but not limited to labor charges, regardless of whether TFSBP was informed about the possibility of such damages, and in no event shall TFSBP's liability exceed an amount equal to the sales price.

The foregoing warranty is made in lieu of any and all other warranties, express or implied, including warranties of merchantability and fitness for a particular purpose.

This limited warranty sets forth the exclusive remedy for claims based on failure of or defect in products, materials or components, whether the claim is made in contract, tort, strict liability or any other legal theory.

This warranty will apply to the full extent permitted by law. The invalidity, in whole or part, of any portion of this warranty will not affect the remainder.

## Ordering Procedure

Contact your local distributor for availability. When placing an order, indicate the full product name and Part Number (P/N).

### Model CV-1FR Check Valves

Specify: Size and P/N (below).

2" (DN50) . . . . .	P/N 59-590-1-020
2-1/2" (DN65) . . . . .	P/N 59-590-1-025
76,1 mm (DN65) . . . . .	P/N 59-590-1-076
3" (DN80) . . . . .	P/N 59-590-1-030
4" (DN100) . . . . .	P/N 59-590-1-040
139,7 mm (DN125) . . . . .	P/N 59-590-1-139
5" (DN125) . . . . .	P/N 59-590-1-050
165,1 mm (DN150) . . . . .	P/N 59-590-1-165
6" (DN150) . . . . .	P/N 59-590-1-060
8" (DN200) . . . . .	P/N 59-590-1-080
10" (DN250) . . . . .	P/N 59-590-1-100
12" (DN300) . . . . .	P/N 59-590-1-120

### Model CV-1FR Riser Check Valve Trim Assembly

Specify: Size and P/N (below).

2" (DN50) . . . . .	P/N 59-591-1-020
2-1/2" (DN65) . . . . .	P/N 59-591-1-030
76,1 mm (DN65) . . . . .	P/N 59-591-1-030
3" (DN80) . . . . .	P/N 59-591-1-030
4" (DN100) . . . . .	P/N 59-591-1-080
139,7 mm (DN125) . . . . .	P/N 59-591-1-080
5" (DN125) . . . . .	P/N 59-591-1-080
165,1 mm (DN150) . . . . .	P/N 59-591-1-080
6" (DN150) . . . . .	P/N 59-591-1-080
8" (DN200) . . . . .	P/N 59-591-1-080
10" (DN250) . . . . .	P/N 59-591-1-080
12" (DN300) . . . . .	P/N 59-591-1-080