

---

# Stainless Steel Compact Liquid Relief Valves

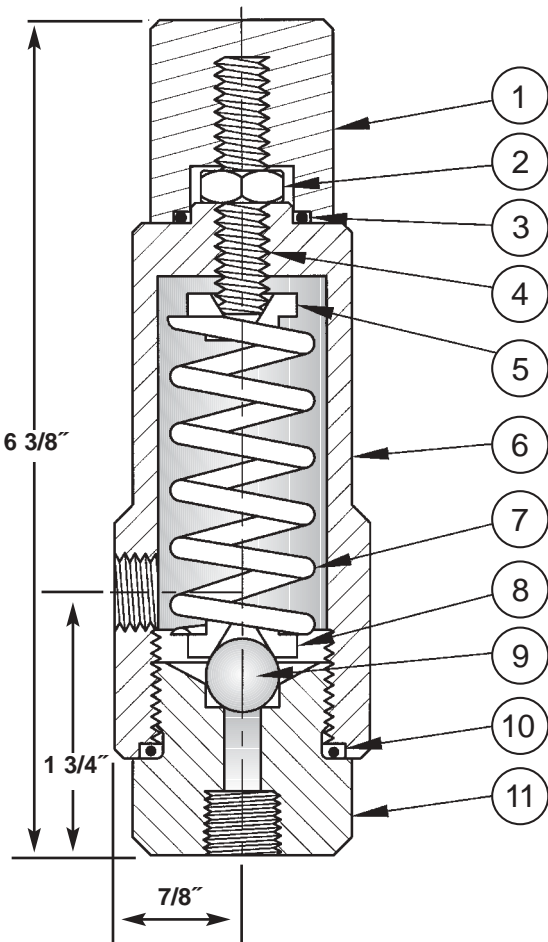
---

- Non-Code liquid service
- Compact design
- Pressures to 6,000 psi
- Dependable “Ball & Seat” design
- 1/4” & 3/8” FNPT inlet sizes

 **Hydroseal**  
*A Mallard Control Company*



# Model Selection



## LSA-1 INLET • ORIFICE • OUTLET

## O MATERIAL

MODEL	INLET	ORIFICE [DIA]	OUTLET
LSA-1	1/4" FNPT	1/4"	1/4" FNPT
LSA-2	3/8" FNPT	3/8"	3/8" FNPT
LSA-3	1/4" FNPT	3/8"	1/4" FNPT
LSA-4	3/8" FNPT	1/4"	3/8" FNPT

<b>0</b>	- SA479 - 304
<b>1</b>	- SA479 - 316

MATERIAL CODE	0	1
1. CAP	SS	316 SS
2. LOCKNUT	SS	SS
3. CAP O-RING	Nitrile	Viton®
4. ADJ SCREW	SS	316 SS
5. UPPER SPRING PLATE	SS	316 SS
6. BODY	SS	316 SS
7. SPRING	SS	316 SS
8. LOWER SPRING PLATE	SS	316 SS
9. BALL	440C SS	Stellite®
10. SEAT O-RING	Nitrile	Viton®
11. SEAT	SS	316 SS

SS - STAINLESS STEEL

Viton® and Kalrez® are registered trademarks of the DuPont Dow Elastomers, LLC.  
Teflon® is a registered trademark of I. E. DuPont De Nemours Company.  
Stellite® is a registered trademark of the Deloro Stellite Company, Inc.  
Inconel® and Monel® are registered trademarks of the International Nickel Company, Inc.

## WATER CAPACITY IN GALLONS PER MINUTE [GPM] At 25% Over Set Pressure

SET PRESSURE PSIG	ORIFICE	
	1/4"	3/8"
100	1.3	5.6
300	2.3	9.7
500	3.0	12.5
700	3.5	14.8
1000	4.2	17.7
2000	6.0	25.0
3000	7.3	30.6
5000	9.5	39.5
6000	10.4	43.0



1610 US Hwy. 259 N. • Kilgore, Texas 75662  
903-984-8574 • Fax 903-984-6307  
www.hydroseal.com

