

UNION TYPE AND HAMMER UNION TYPE RUPTURE DISC HOLDERS

UNION TYPE DESCRIPTION

The typical Union Type Rupture Disc Holder is a three-piece unit consisting of a base flange (inlet), a holddown flange (outlet) and a union nut. The 30° angular seating surfaces of these holders are machined to grip Conventional Pre-bulged P/CPV Series and HO/HOV Series Rupture Discs. The base and holddown flanges grip the rupture disc while the union nut provides the compression necessary to create a metal-to-metal seal. (See Figure 1).

Fike's Union Type Rupture Disc Holders can be incorporated into a pressure system by welded or threaded connections, or any combination of the two. Standard Union Type Disc Holder dimensions and configurations, with assembly letter designations are displayed in Table 1.

Carbon Steel and 316 SS are standard materials of construction for Union Type Holders. However, other materials are available upon request and their dimensions may vary. When ordering Union Type Rupture Disc Holders, it is necessary to specify size, pressure rating, assembly letters (BU, CU, EU or FU) and material requirements. Rupture discs are ordered separately and must be specified as Union Type with size, material, rupture pressure and operating temperature.

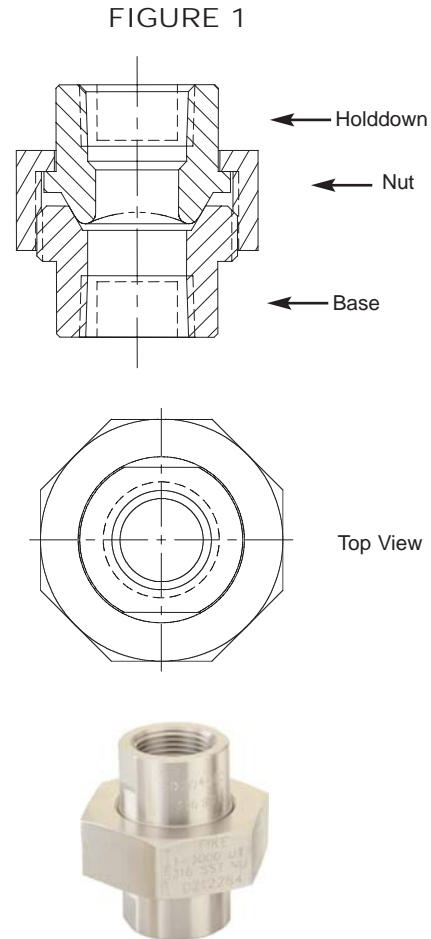


TABLE 1
STANDARD UNION TYPE HOLDER DIMENSIONS, CONFIGURATIONS, AND ASSEMBLY LETTER DESIGNATIONS

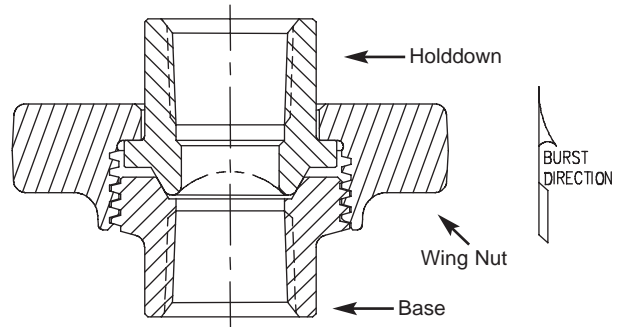
Pipe Size	Max. Rating at 100°F	Width Across Flats	Approximate Height (In.)			
			BU	CU	EU	FU
			Threaded Base Threaded Holddown	Threaded Base Welding Holddown	Welding Base Threaded Holddown	Welding Base Welding Holddown
1/2	3000 psi	1-3/4	2-3/8	2-1/4	2-3/8	2-1/4
1/2	6000 psi	2-1/2	2-5/8	2-5/8	2-5/8	2-5/8
3/4	3000 psi	2-1/2	2-3/4	2-1/2	2-7/8	2-5/8
3/4	6000 psi	2-3/16	2-1/4	2-1/2	2-7/8	2-5/8
1	3000 psi	2-9/16	2-1/2	3-1/16	3-3/8	3-5/16
1	6000 psi	3	3-1/8	3-1/1	3-3/8	3-5/16
1-1/2	3000 psi	3-7/16	3-7/16	3-1/8	3-1/2	3-3/8
2	750 psi	5	3-7/16	3-7/16	3-5/8	3-5/8

Form No. R.1.09.01-2

HAMMER UNION TYPE DESCRIPTION

The typical Hammer Union Holder, sometimes referred to as a Wing Nut Union Holder, is a three-piece unit consisting of a base (inlet), a holddown (outlet) and a wing nut. The 30° angular seating surfaces of these holders provide the compression necessary to clamp the rupture disc securely into place. This design is ideal for installation locations that are hard to reach allowing easier dismantling of the unit and can withstand the force of a hammer for optimum field use.

Carbon Steel is the standard material of construction for the Hammer Union Type Holder. Standard Hammer Union Type Holder dimensions and configurations are displayed in Table 2.



**TABLE 2
STANDARD HAMMER UNION TYPE DIMENSIONS AND CONFIGURATIONS**

Part No.	Pipe Size	Assembly Rating	Approx. Height (in.)
1 60HU	1	6000	3- ³ / ₃₂
1.50 60HU	1- ¹ / ₂	6000	3- ⁹ / ₃₂
2 20HU	2	2000	3- ¹⁵ / ₁₆

