



Stock number 1010092

Enclosure: Explosion Proof Switch Enclosure

Environmental Limitations:

-40°F to 140°F (-40°C to 60°C)
For use in hazardous locations

Mounting: 1/2" tapped hole in post indicator housing

Contact Rating: 15 AMPS at 125VAC
1/2 AMP at 125VDC

Service Uses:

Automatic Sprinkler	NFPA-13
One or two family dwelling	NFPA-13D
Residential occupancy up to four stories	NFPA-13R
National Fire Alarm Code	NFPA-72

The PIVS-U-EX is designed to mount in a 1/2" tapped hole in the post indicator housing. The PIVS-U-EX should be located so that the stem of the switch is held against the stem return spring by the indicator assembly when the valve is open.

Switch Enclosure

UL listed explosion proof switch enclosure. For hazardous locations. Class I, Group C and D, Div. 1; Class II, Groups E, F, and G, Div. 1.

Installation

See Figures 1, 2, 3, 4, and 5. Operate the valve to determine whether the target moves up or down as the valve is closed.

Open the valve fully and see that target indicates "OPEN". Remove the head from the indicator post and remove target assembly.

Select a location for the switch, so that the stem of the switch will be depressed by some part of the target assembly when valve is fully open. The switch location should be accessible for service.

If the target assembly moves up when the valve is closed locate the switch below the target with the long part of the case pointing down.

If the target assembly moves down when the valve is closed locate the switch above the target with the long part of the case pointing up.

Drill and tap the post at the location selected to receive the 1/2" NPT nipple on the switch.

In some cases it may be necessary to attach an angle bracket to the target assembly to engage the switch stem. Any excess length of the stem should be cut off with a hack saw.

Close the valve carefully and see that the switch stem is free to move and that no excess pressure is placed on the stem at the end of its travel.

Small adjustments of the target position may be made if necessary.

The contacts of the switch should operate when the valve is closed 1 or 2 turns. The switch can be tested with a buzzer or ohmmeter.

Replace the head on the indicator post.

An alternate method of installation is shown in Figure 3. In this method one of the glass windows is replaced with a 1/4" (6,4mm) thick steel

plate cut to fit in place of the glass and drilled and tapped to receive the 1/2" pipe nipple on the switch.

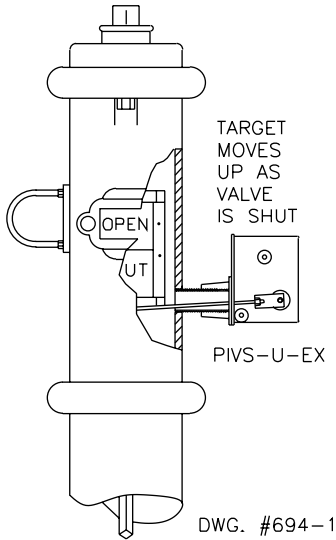
A 1/2" or 3/4" (12,7mm or 19mm) square block of steel is attached to the target assembly, in place of the cast letter plate, to actuate the switch stem.

Figure 4 shows the switch mounted on a butterfly valve.

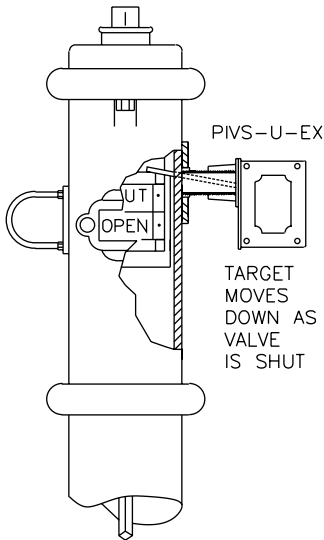
Ordering Information

Model	Description	Stock No.
PBK-S	Pratt Butterfly Valve Kit (Up to 12")	0090133
PBK-L	Pratt Butterfly Valve Kit (14" and Up)	0090132
PVK	Pratt Valve Kit	1000060
KBK	Kennedy Butterfly Valve Kit	0090143

Typical Valve Installation
Fig. 1



Typical Valve Installation
Fig. 2



Valve Window Installation
Fig. 3

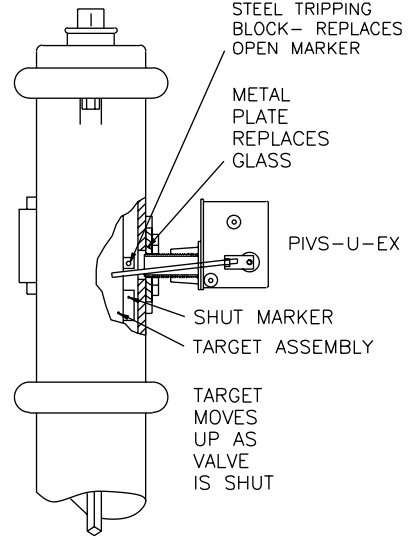


Fig. 4 Butterfly Valve Installation

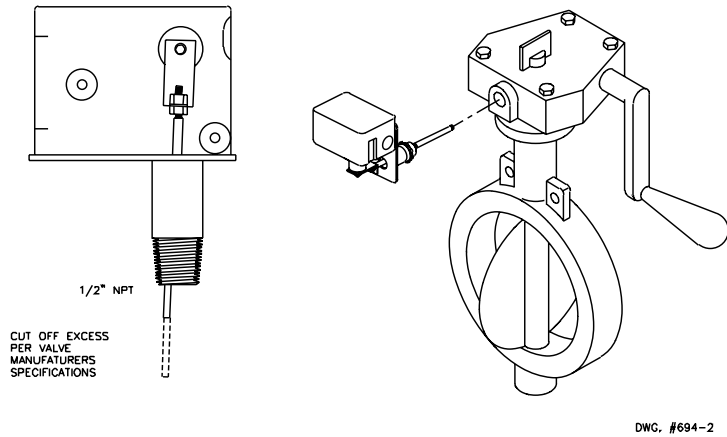


Fig. 5 Typical Electrical Connections

