

AIR ASPIRATING FOAM NOZZLE MODEL AFN-1

Data/Specifications



DESCRIPTION

Constructed of hard anodized aluminum with stainless steel fasteners and adjustment rod, this air aspirating foam nozzle offers minimum weight with durability. Stream pattern is adjustable in the field from an even fan type to a full straight stream.

Flow rates are specifically tailored to individual protection by the insertion of a pre-engineered stainless steel orifice plate.

Orifice plates can be sized for flows from 250 to 1000 gpm (946 to 3785 Lpm) within K-factors of 35 to 125 based on flowing nozzle inlet pressure. (Monitor friction loss must be deducted from monitor inlet pressure to use those K-factors.)

- ▶ The nozzle attaches to ANSUL® Model WOM-3 automatic water driven oscillating monitor, and the MM-1000 manual monitor. Connector is a female swivel, 2 1/2 in. – 7 1/2 TPI NHT.

ORDERING INFORMATION

When ordering, specify required flow and pressure. Consult ANSUL for engineering assistance.

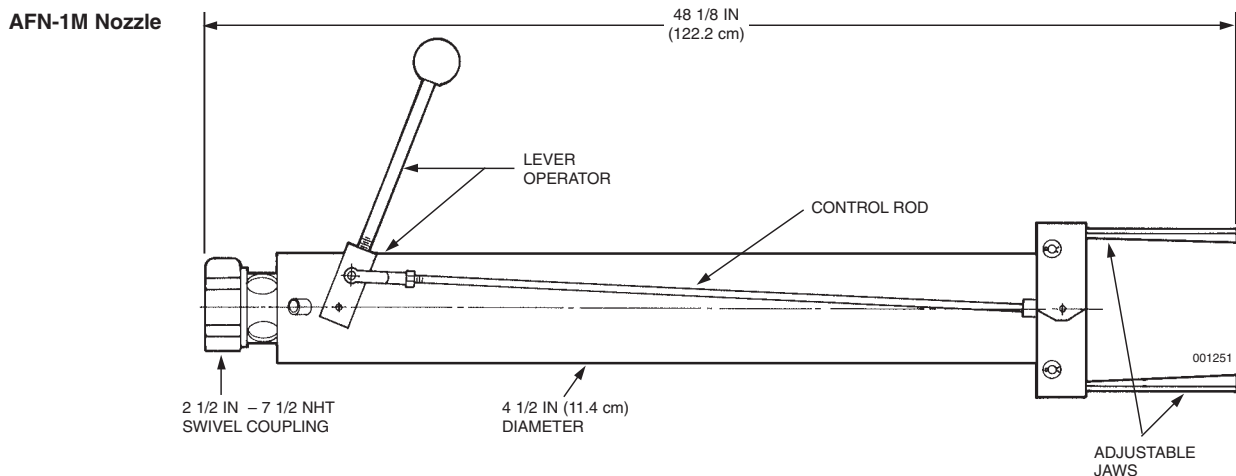
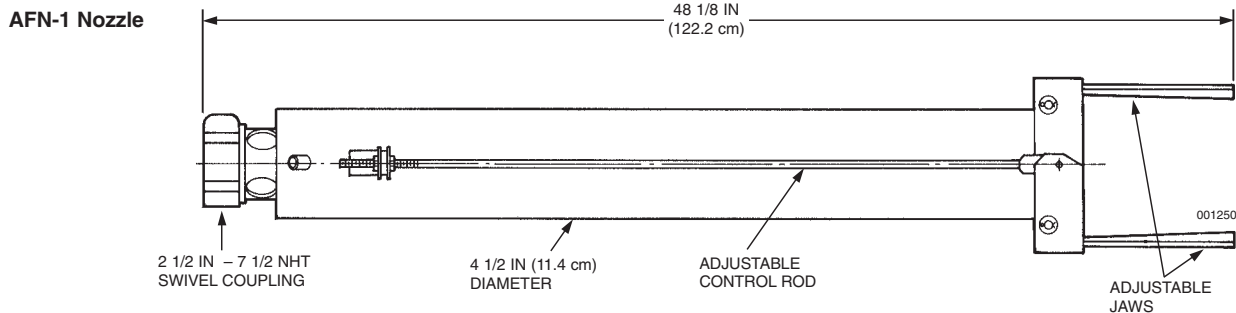
Part No.	Description
400200	AFN-1 Nozzle
400336	AFN-1M Nozzle with Lever Operator

- ▶ Contact ANSUL if stainless steel versions are required.

NOZZLE FLOW AND RANGE

Nozzle Pressure psi (bar)	Flow Rate gpm (Lpm)	Range at 30° Elev. ft (m)	Range at 22.5° Elev. ft (m)	Range at 15° Elev. ft (m)	Range at 0° Elev. ft (m)
44 (3)	385 (1457)	135 (41)	135 (41)	115 (35)	50 (15)
88 (6.1)	534 (2021)	175 (53)	175 (53)	170 (52)	80 (24)
132 (9.1)	656 (2483)	190 (58)	190 (58)	190 (58)	100 (30)

▶ Note: Above based on orifice sized for 500 gpm @ 100 psi (1893 Lpm @ 6.1 bar).



ANSUL is a trademark of Ansul Incorporated or its affiliates.



Ansul Incorporated
Marinette, WI 54143-2542

715-735-7411
www.ansul.com

Copyright ©2007 Ansul Incorporated
Form No. F-85109-4