

The CONTINUUM Ignition System



Description

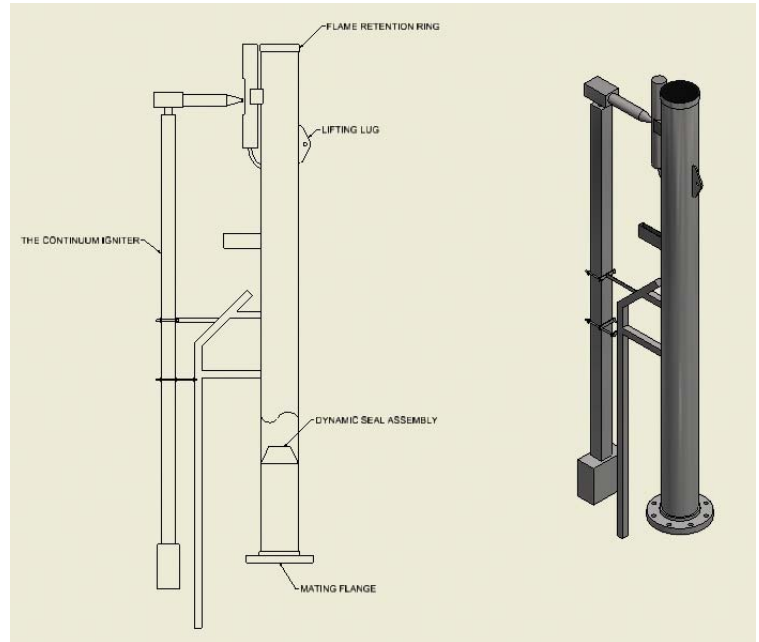
AEREON's CONTINUUM Ignition System is a versatile, direct-spark controls package designed for robustness and ease of operation & maintenance. Available as a fully-retractable-to-grade system, the CONTINUUM Ignitor provides easy access for operators and technicians, and significantly reduces, or even completely eliminates, equipment down time. With the selection of a Solar Powered option, and coupled with our tip-integral "Slip-stream" ignition chamber, this controls package can be operated completely independent from external utilities, making it a perfect selection for those remote applications.

As a system whose initial version was placed into service in excess of 25 years ago, and with well over a thousand units still in service, the CONTINUUM Ignitor is a reliable and industry-tested ignition system from a leader in the vapor control industry. With a field-developed timing sequence, the controls package initiates a sparking sequence three or more times a minute, regardless of the current status of the flare, and ensuring that when you need it, your vapor control equipment is available for use.

The CONTINUUM Ignition System

Advantages

- Fully retractable for ease of maintenance
- Low maintenance costs:
 - does not require a crane
 - no plant shut down for maintenance
- Eliminates need for ladders and platforms
- Constant re-ignition every 20 seconds, 24 hours a day – allows for longevity of the system
- Eliminates need for pilot gas in most applications



Specifications

Ignitor Model:	100
Dimensions:	11' – 6" long (3.5m)
Materials:	304/316 SS
Weight:	80 lb. (36.4 kg.)
Control Panel Models:	AC – AL (AC power) SOL (Solar power)
Classification:	NEMA 4 (NEMA 7 option)
Power Requirements:	110 VAC, 220 VAC, or Solar Power
Distance from Ignitor:	Maximum 600 ft. (182m)

Design Features

- Eliminates need for pilot gas and power
- Solid alloy D-ring design ensures proper spark gap throughout the life of the ignitor and eliminates mechanical wear areas found on dual probe systems
- 100% alloy steel construction
- Current monitoring provides reliable ignition monitoring without thermocouples or other flame monitoring devices
- Available UPS (uninterrupted power supply) for AC powered units