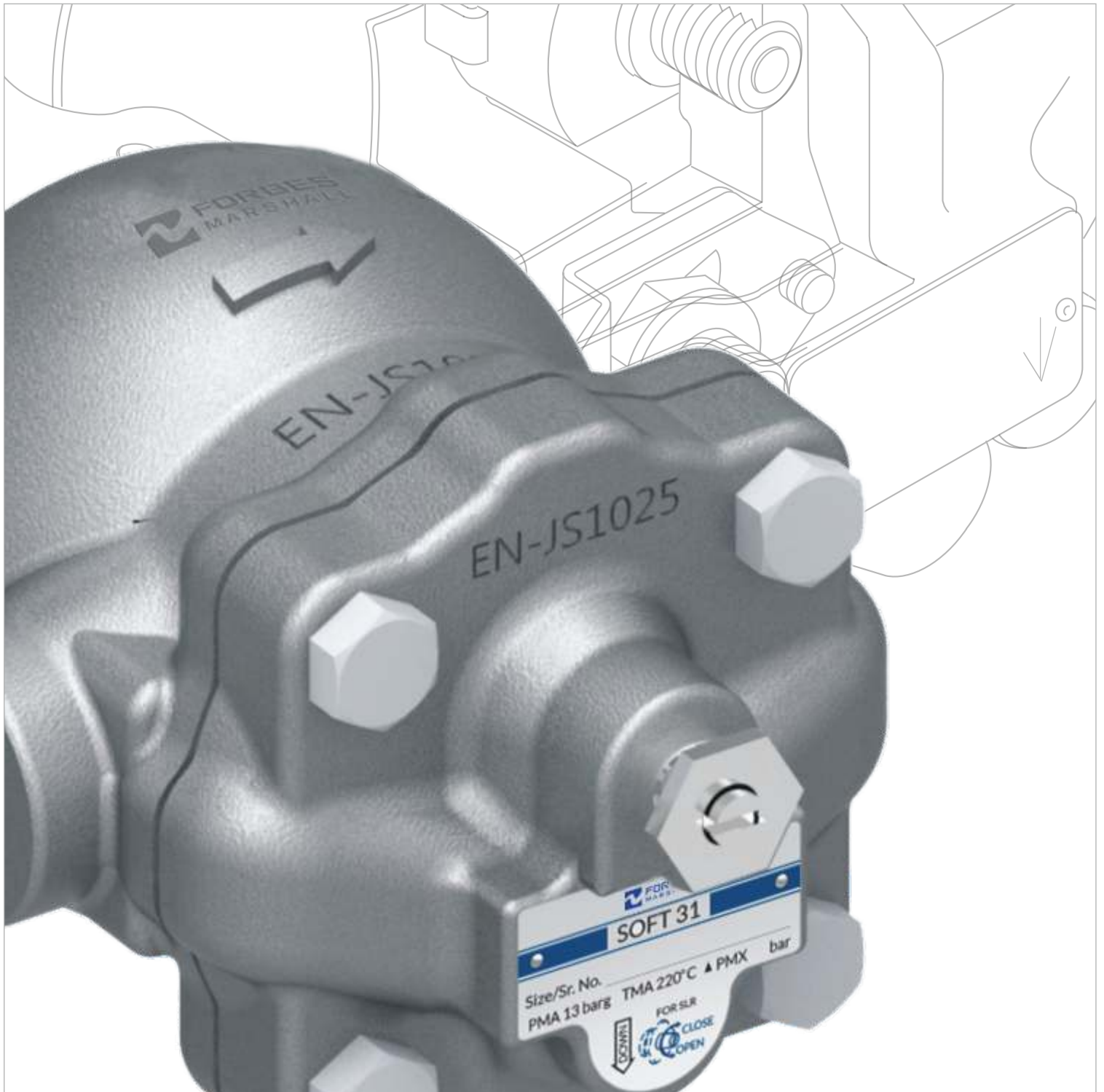


# Single Orifice Float Trap

Maximum Plant Output, Minimum Batch Times

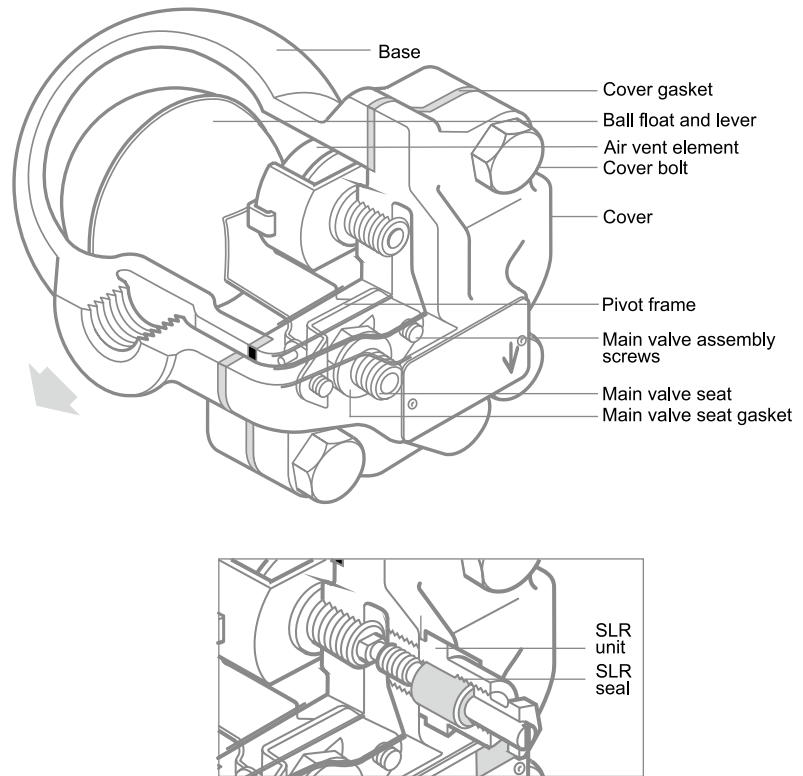


# Single Orifice Float Traps

The first choice for process efficiency over the last seven decades, Forbes Marshall has been partnering the process industry with solutions in steam trapping. With our continuous investment in research and development, the single orifice float trap is an extremely robust trap well suited for various application needs.

Its unique features include a self-aligning main valve, water-hammer proof float assembly, and an integral, corrosion resistant air vent. Equipped with all these and the option of a steam lock release (SLR) mechanism, the Forbes Marshall single orifice float trap is the most preferred ball float trap in the process industry.

## Cut Section of the Single Orifice Float Trap



### Features

#### Effective condensate drainage

Buoyancy modulated float mechanism for instantaneous discharge of condensate.

#### Environment friendly

Asbestos-free gasket. No steam loss in normal working condition means a reduction in the carbon footprint.

#### Erosion and impact resistant

Erosion deflectors with simplified flow paths make the trap erosion and impact resistant.

#### Installation flexibility

Can be installed either horizontally or vertically.

#### No live steam loss

Self-aligning valve with a permanent water seal.

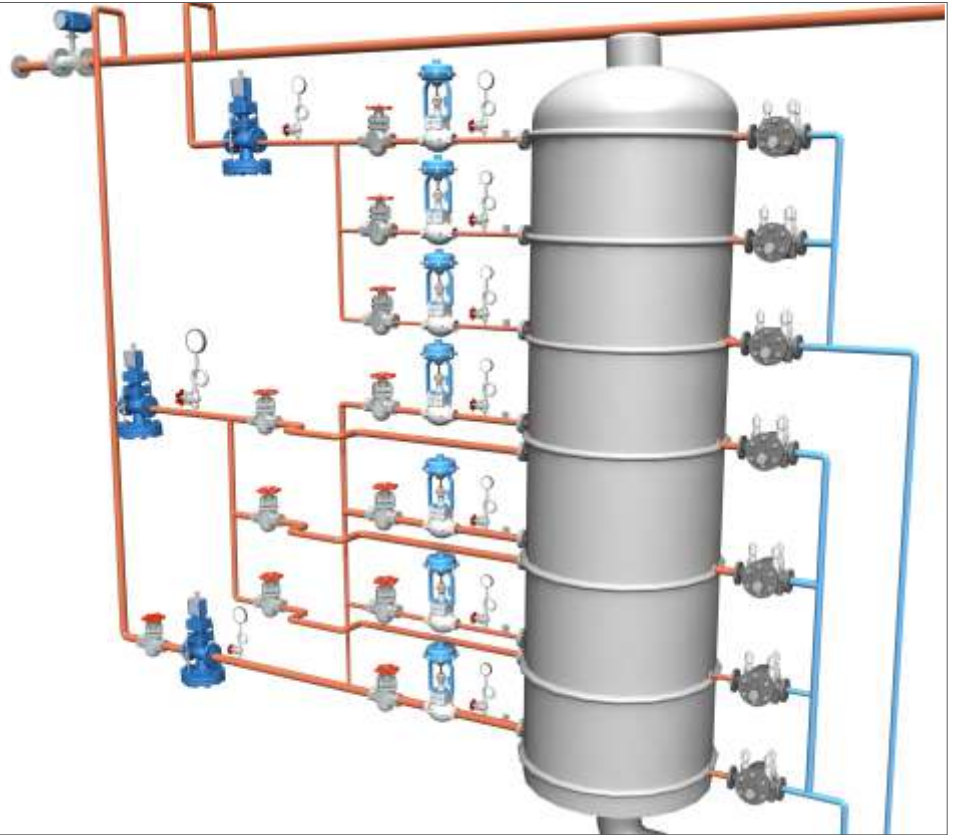
#### Quick Start-up

Integral thermostatic air vent.

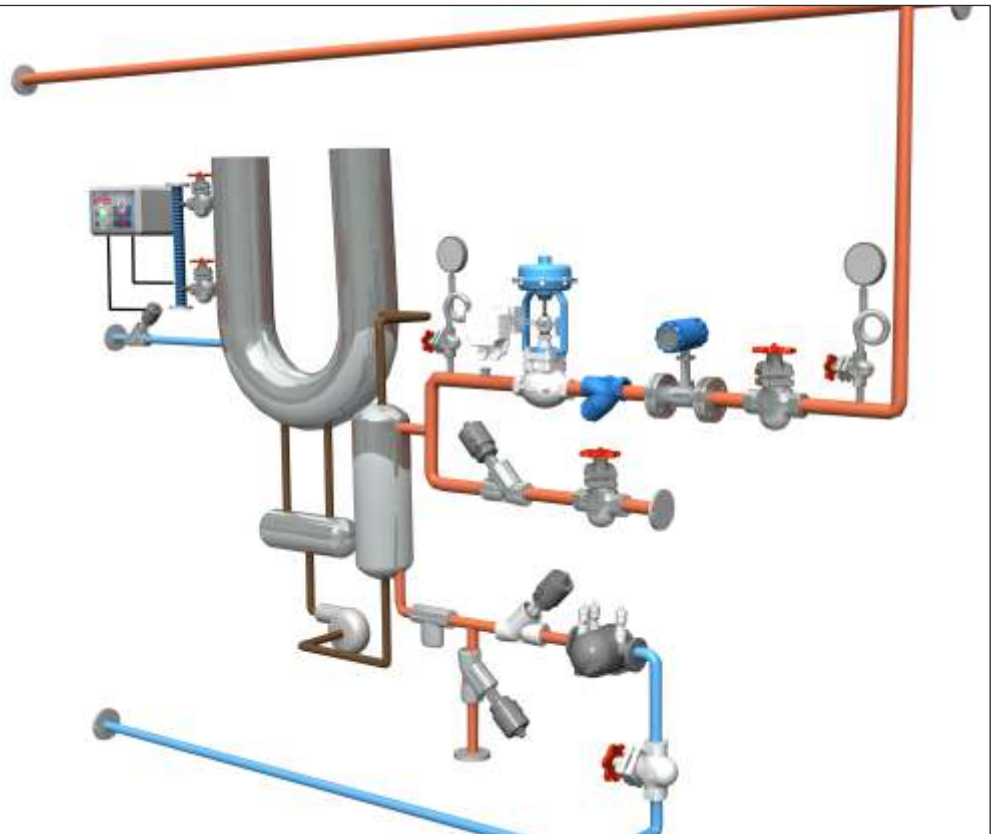
## Applications

Single orifice float traps are the first choice for applications where the rate of heat transfer is high to keep up with high productivity levels. A compact construction with high discharge capacity ensures maximum heat transfer. They are designed to efficiently handle varying condensate loads without pressure fluctuation, adding to the desired product quality. Condensate is removed instantaneously on formation.

### Desolventising Toaster Solvent Extraction Industry



### Jet Dyeing Machine Textile Industry



## Innovation Experience

# 70 years

## Single Orifice Float Traps Installed Globally

# 3 million

## Satisfied Customers

# 15,000+

Successful performance of Float Traps installed in our solvent plant has reduced the annual fuel bill by **1.81 %**. We are recovering **12 TPD** of condensate.

**Multinational Pharmaceutical Company**

We are very happy with the installation of Single Orifice Float Traps in lieu of Bucket trap for our driers resulting in reduction of diesel consumption from **220 ltr/day to 190 ltr/day**.

**Largest Hotel Chain**

Successful installation of Single Orifice Float Trap has reduced our steam consumption by **6 - 7 %** improving our batch timings by **18-24 mins**.

**Active Pharmaceutical Ingredients Manufacturer**

Our present condensate and flash recovery factor by installation of Single Orifice Float Traps is **60 %** with feed water at **87°C**. We are pleased to recommend the float traps to other bulk drugs and chemical process plants.

**14<sup>th</sup> Largest Global Generic Pharmaceutical Company**

Thanks to Forbes Marshall for recommending the installation of Single Orifice Float Traps over Thermodynamic traps on our backfilling and stenter machines leading to reduction in our annual fuel bill by **10%** compared to last year.

**Manufacturer of Mink Printed and Embossed Blankets**

The Single Orifice Float Traps are effectively **evacuating condensate continuously** without keeping the bypass valve open during the processes. We have **not faced any problem** after installation of the traps.

**5<sup>th</sup> Largest Brewery Group in the World**



Forbes Marshall  
Krohne Marshall  
Forbes Marshall Arca  
Codel International  
Forbes Solar  
Forbes Vyncke  
Forbes Marshall Steam Systems

Opp 106th Milestone  
Bombay Poona Road  
Kasarwadi, Pune - 411 034,  
INDIA  
Tel : 91(0)20-27145595, 39858555  
Fax : 91(0)20-27147413

Email : [seg@forbesmarshall.com](mailto:seg@forbesmarshall.com), [ccmidc@forbesmarshall.com](mailto:ccmidc@forbesmarshall.com)

B-85, Phase II, Chakan Indl Area  
Sawardari, Chakan, Tal. Khed  
Dist. Pune - 410 501. INDIA  
Tel : 91(0)2135-393400

A-34/35, MIDC H Block  
Pimpri, Pune - 411 018. INDIA.  
Tel : 91(0)20-27442020, 39851199  
Fax : 91(0)20-27442040

CIN No.: U28996PN1985PTC037806

[www.forbesmarshall.com](http://www.forbesmarshall.com)

© All rights reserved. Any reproduction or distribution in part or as a whole without written permission of Forbes Marshall Pvt Ltd, its associate companies or its subsidiaries ("FM Group") is prohibited.  
Information, designs or specifications in this document are subject to change without notice. Responsibility for suitability, selection, installation, use, operation or maintenance of the product(s) rests solely with the purchaser and/or user. The contents of this document are presented for informational purposes only. FM Group disclaims liabilities or losses that may be incurred as a consequence of the use of this information.