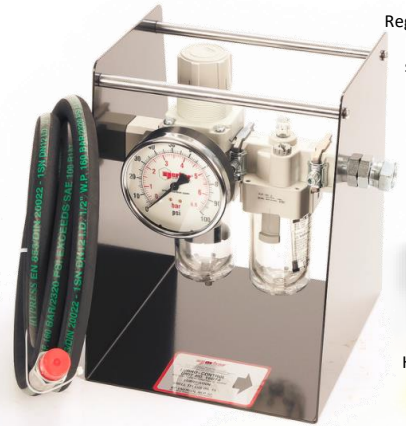




18936
GP Cranked Alloy reaction arm
to suit 92mm spline (supplied
as Standard)

16074
Regulator / Filter lubrication
controller. Supplied as
standard with 3m hose

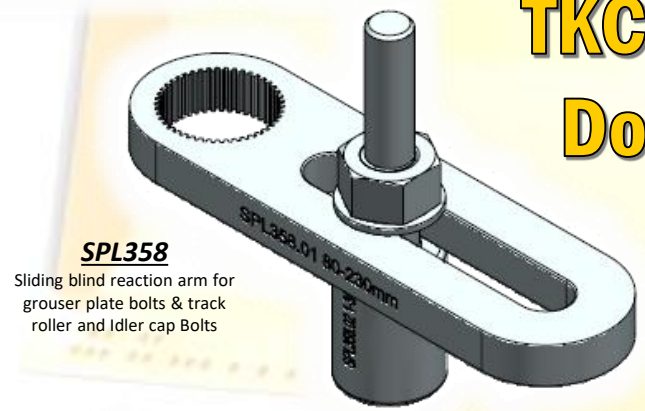


SPL466
HD Cranked reaction Arm for
Blade bolts



18119.B08
PTM 92-4000B
800-4000Nm / 600-2950lbf.ft
1" Sq Dr Torque Multiplier
Auto 2 speed max 41rpm

TKCM10/11 - CAT D10& D11 Dozer Torque Multiplier Kit



SPL358
Sliding blind reaction arm for
grouser plate bolts & track
roller and Idler cap Bolts



NE 92-400
400mm Nose Extension for use on
Sprocket Bolts and Blade Bolts



BG090055040GY
900x500 x 300mm Space Case
with Foam Inlay