

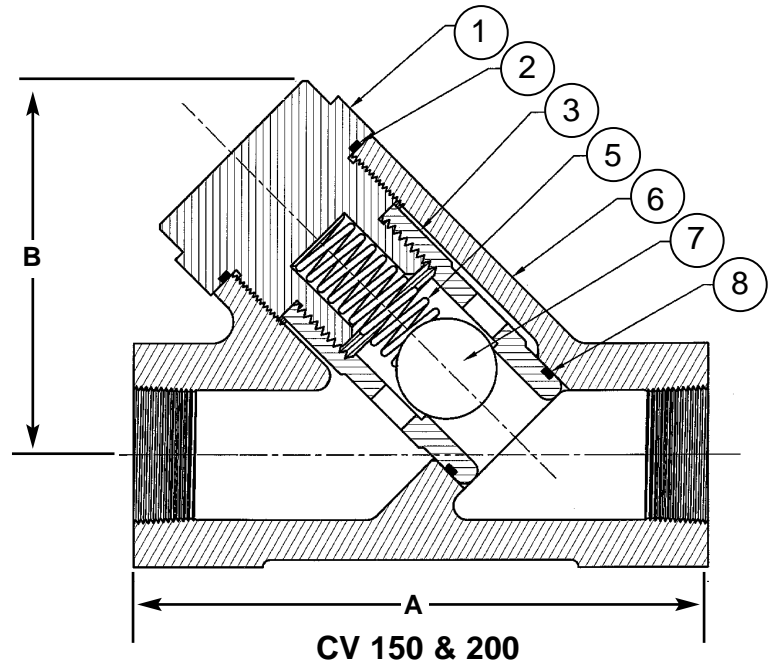
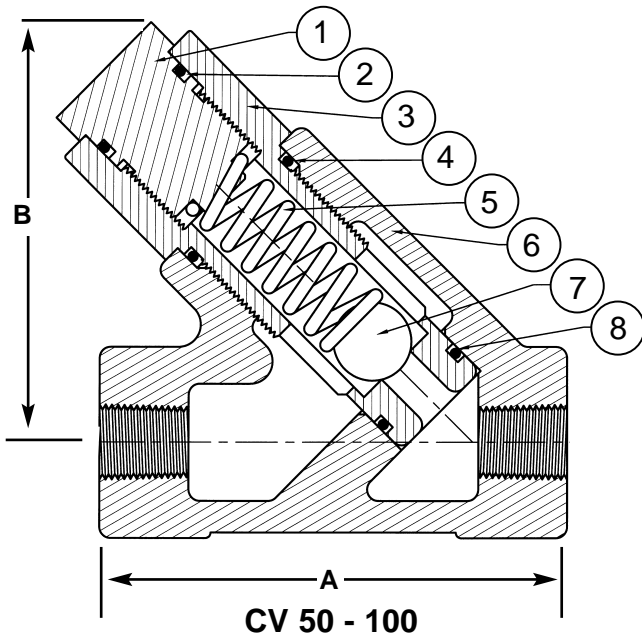
# High Pressure Ball Check Valves

- Easy service cartridge barrel design
- Pressures to 3,000 psi
- Severe service option
- Operating temperatures to 450°F
- 1/2" - 2" FNPT and socket weld

 **Hydroseal**  
*Valve Company, Inc.*



# Model Selection



## CV 50 INLET • OUTLET

## 0 MATERIAL

| MODEL  | INLET/OUTLET | MAX PRESSURE [PSIG] | DIMENSIONS |        | WEIGHT [Lbs] |
|--------|--------------|---------------------|------------|--------|--------------|
|        |              |                     | A          | B      |              |
| CV 50  | 1/2" FNPT    | 3000                | 5 1/8"     | 4 7/8" | 7            |
| CV 75  | 3/4" FNPT    | 3000                | 5 1/8"     | 4 7/8" | 7            |
| CV 100 | 1" FNPT      | 3000                | 5 1/8"     | 4 7/8" | 7            |
| CV 150 | 1 1/2" FNPT  | 3000                | 7 1/2"     | 5 3/8" | 21           |
| CV 200 | 2" FNPT      | 3000                | 9 5/8"     | 6 3/4" | 33           |

|   |
|---|
| 0 - Standard                            |
| 3 - All 316 SS                          |
| <b>Minimum Opening Pressure 5-7 psi</b> |

Add SW to part number for socket weld.

| MATERIAL       | 0           | 3      |
|----------------|-------------|--------|
| 1. CAP         | 4140        | 316 SS |
| 2. CAP SEAL    | Viton®      | Viton® |
| 3. BARREL      | 17-4 PH     | 316 SS |
| 4. BODY SEAL*  | Viton®      | Viton® |
| 5. SPRING      | 316 SS      | 316 SS |
| 6. BODY        | ASTM 487-4N | CF8M   |
| 7. BALL        | 440C        | SS     |
| 8. BARREL SEAL | Viton®      | Viton® |

\* NOT USED ON CV 150 & CV 200

Viton® and Kalrez® are registered trademarks of the DuPont Dow Elastomers, LLC.

CANADIAN REGISTRATION NUMBER 0C0736.2C

**Hydroseal**  
Valve Company, Inc.

P.O. Box 1382 • Kilgore, Texas 75663-1382  
903-984-8574 • Fax 903-984-6307  
www.hydroseal.com

