

# FMSRV (DN20-50)



Trusted Partners.  
Innovative Solutions.

## Forbes Marshall Safety Relief Valve

### Description

The Forbes Marshall Safety Relief Valve FMSRV is a high lift safety valve with gun metal seat, valve and brass internals suitable for use on steam, air and water.

### Size and Pipe Connections

DN 20, 25, 40 and 50  
Screwed BSPT  
Available with IBR certificate

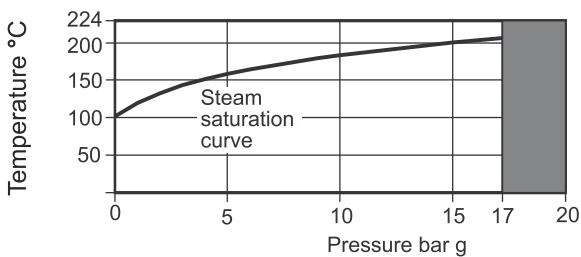
### Limiting Conditions

|                                   |            |
|-----------------------------------|------------|
| PMO maximum operating pressure    | 17.5 bar g |
| TMO maximum operating temperature | 224°C      |
| Cold hydraulic test pressure      | 35 bar g   |

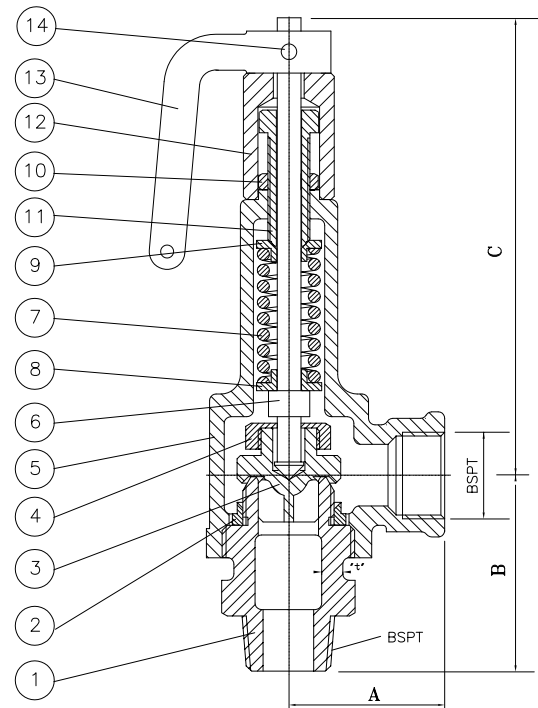
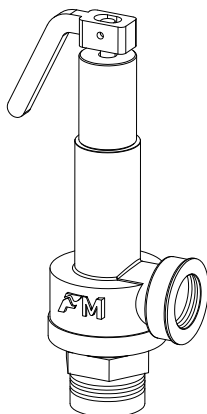
For following set pressure ranges 6 colour coded springs are available

|                |        |
|----------------|--------|
| 05 to 15 psi   | White  |
| 15 to 35 psi   | Yellow |
| 35 to 75 psi   | Green  |
| 75 to 125 psi  | Blue   |
| 125 to 175 psi | Red    |
| 175 to 250 psi | Black  |

### Operating Range



The product **must not** be used in this region.



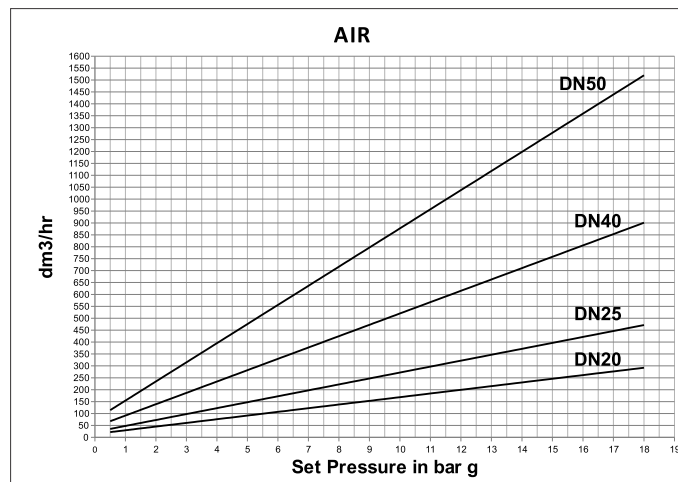
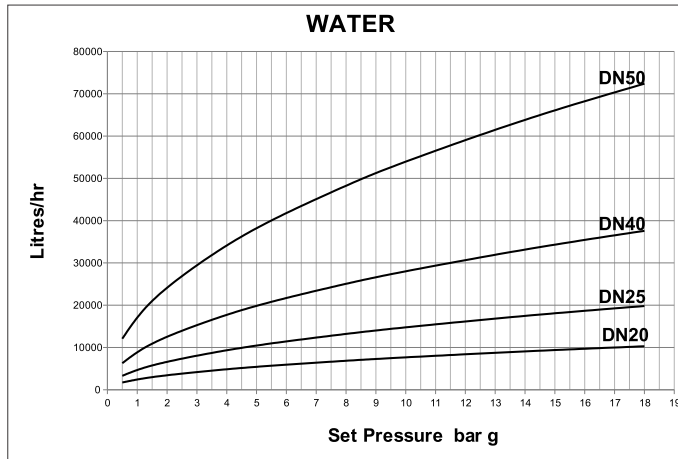
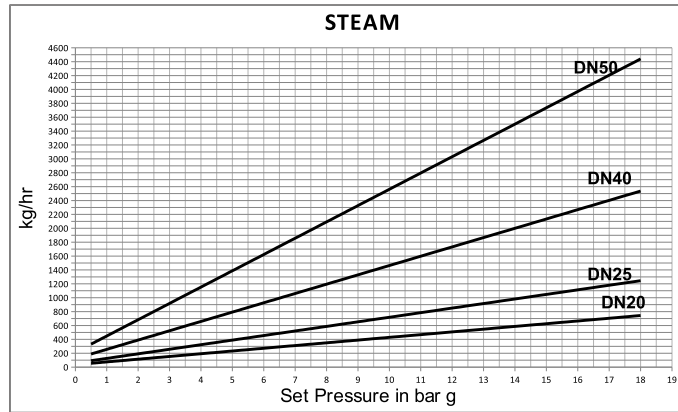
### Material

| No | Part  | Material         |
|----|---|------------------|
| 1  | Seat  | Gun metal        |
| 2  | Seat ring                                   | Gun metal        |
| 3  | Valve                                       | Gun metal        |
| 4  | Spindle lock nut                            | Brass            |
| 5  | Bonnet                                      | IS 210 Gr. FG260 |
| 6  | Spindle                                     | Brass            |
| 7  | Spring                                      | Stainless steel  |
| 8  | Bottom spring guide                         | C 20             |
| 9  | Top spring guide                            | C 20             |
| 10 | Adj. locking nut                            | Brass            |
| 11 | Adj. bolt                                   | Brass            |
| 12 | Cap   | C20              |
| 13 | Lever                                       | Aluminium        |
| 14 | Lever fulcrum pin                           | C20              |
| 15 | Seat ring locking screw and nut (not shown) | Brass            |

### Dimensions: (approx. ) in mm

| Size DN | A  | B   | C   |
|---------|----|-----|-----|
| 20      | 48 | 60  | 145 |
| 25      | 60 | 65  | 160 |
| 40      | 73 | 84  | 205 |
| 50      | 80 | 108 | 250 |

## Capacity Chart



### Installation

The safety relief valve should always be fitted with the centre line of the spring housing vertically above the valve. If the discharge pipe is not self-draining then a separate drain pipe with continuous fall should be provided.

The outlet from the safety relief valve should be arranged to discharge to a safe place where it is visible but cannot cause damage or injury to persons.

These valves are not suitable for mounting on boilers

### How to Order

**Example:** 1 No. Forbes Marshall Safety Relief Valve, FMSRV, DN20 with BSPT ends and a set pressure of 6 bar g.

### Available Spares

- Valve head and spindle kit
- Spring kit

### How to Order Spares

Always order spares by using the description given in the column headed available spares. For codes refer user manual.